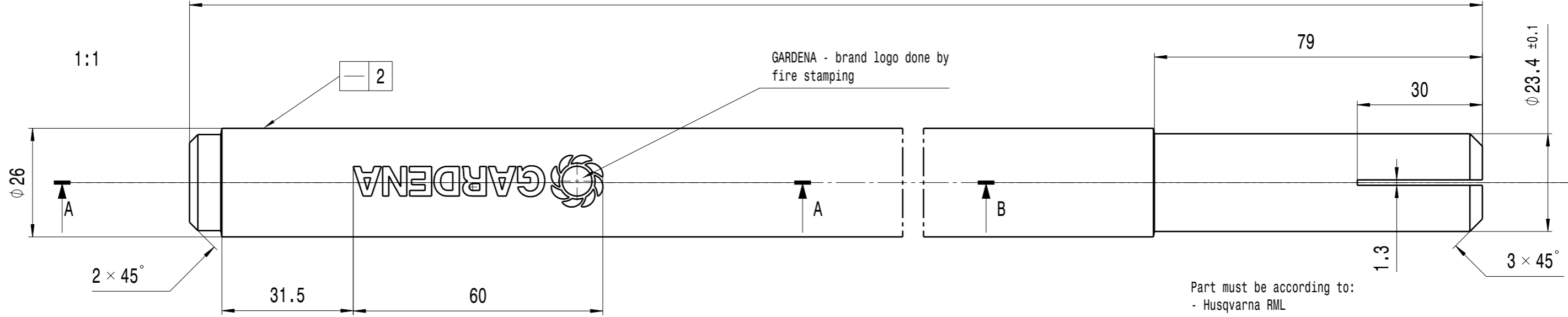
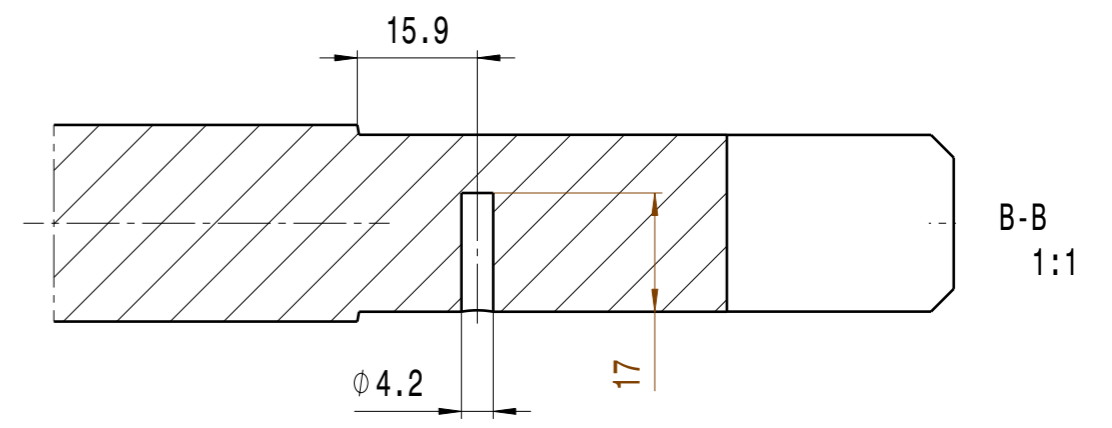
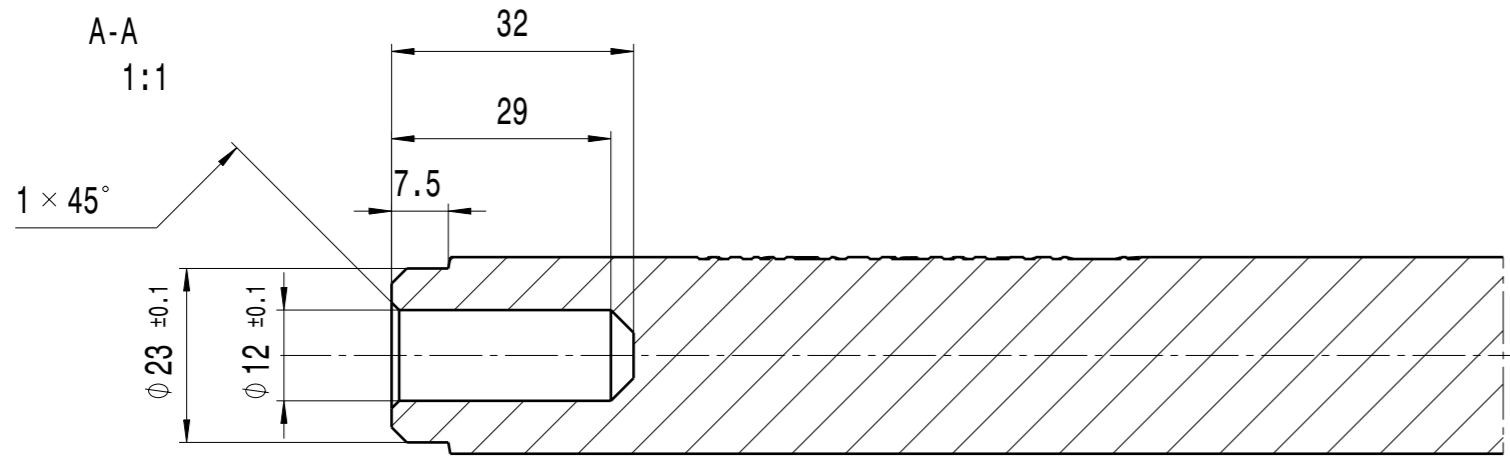


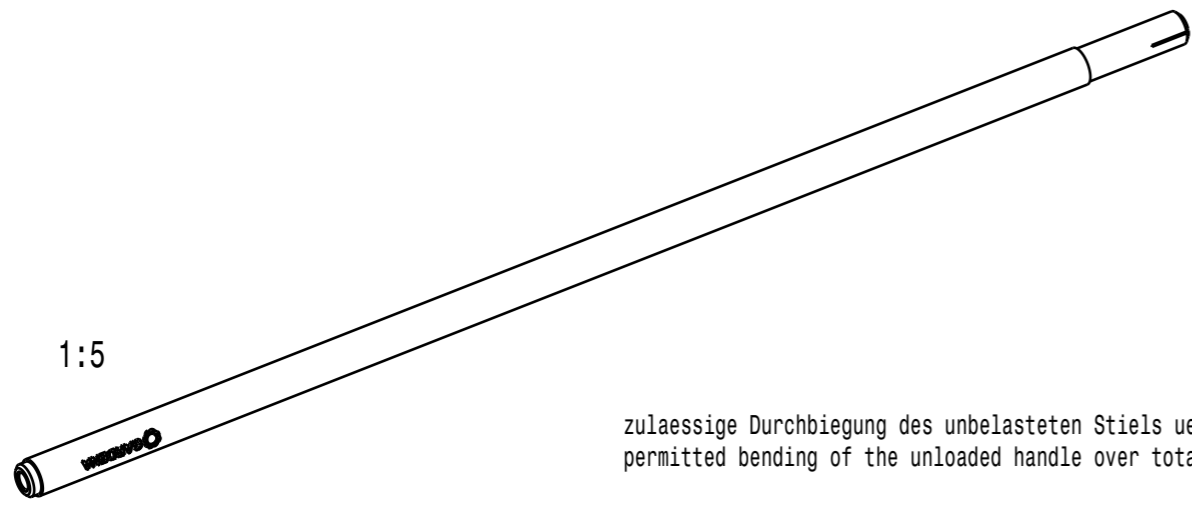
0	1	5	18	25	38	51	76	114	152
from	to	from	to	from	to	from	to	from	to
0	1	5	18	25	38	51	76	114	152
±0.10	±0.13	±0.16	±0.21	±0.26	±0.31	±0.41	±0.56	±0.77	
152	203	254	305	406	508	635	813		
from	to	from	to	from	to	from	to	from	to
152	203	254	305	406	508	635	813	1270	
±1.15	±1.53	±2.00	±2.50	±3.30	±4.10	±5.10	±6.60		
General tolerances plastic mouldings nominal size range G N 1410-01 except threads + gears									
3 dimensional model is mandatory									
Basic size range mm									
0.5	>3	>6	>30	>120	>400	±0.1	±0.2	±0.3	±0.8
3	6	30	120	400	1000	±0.1	±0.2	±0.3	±0.8
fine	medium	coarse				±0.1	±0.2	±0.3	±0.8
General Tolerances for cut/forming DIN ISO 2768 T1									

Rv	No	Zone	Description of revision	Rev by	Date	ECR/ECO	Surface texture: ISO 1302 (Ra)
A	1		<New drawing>	RegiSchn	20191016		



Part must be according to:
 - Husvarna RML
 - RoHS
 - Reach / PAH

umrandete Maße sind Prüfmaße
 framed dimensions for dimension check
 GN 1610-01



zulaessige Durchbiegung des unbelasteten Stiels ueber Gesamtlänge 4mm
 permitted bending of the unloaded handle over total length 4mm

Holzfeuchte max. 15% zulaessig
 wood moisture level max. 15% permitted

Oberflaeche: feingeschliffen Korn 180
 surface: fine grinded grade 180

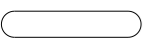
Vor Produktionsbeginn ist der Stiel zur Beurteilung vorzustellen
 before start of production the handle is to be presented for evaluation

Wood;;		Natural	529795601	A
Material	Supplier	Material	Color	Art No
				Art Rev

Material		Laerche / larch wood FSC 100%			Tolerances		DIN 68100	
Treatment					Volume		cm ³	
Designer	Checked by	Certification Demand	*Items shown on this drawing must comply with Husvarna Group Policy for substances classified as "banned" or "restricted" according to the Husvarna Group Restricted Materials List. (See www.purchase.husvarna.com)*			Analytic weight	Compare	
RegiSchn	Approved by	Date (YYYY-MM-DD)	Units	Drawing STD	View pos.	g	Sheet	
		2019-10-16	Metric	ISO	A3	1:1	1/1	
Document ID		ULM D1 000 604 166			Descriptive Name		wood handle	
Local ID		11300-00.600.01			Name		HANDLE	
Drawing No		5297956			Revision		A	



This drawing is our exclusive property and is to be returned on request. It must not in any form be used to the prejudice of our interests. ©



umrandete Maße sind Prüfmaße
framed dimensions for dimension check

GN 1610-01